

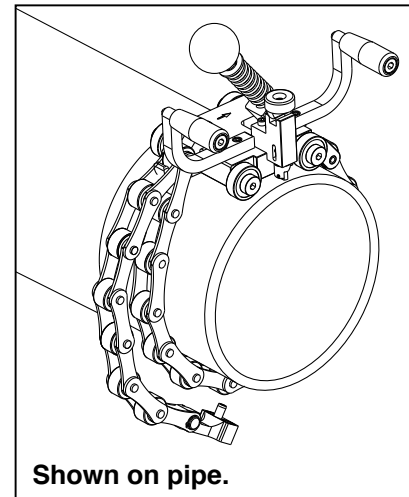
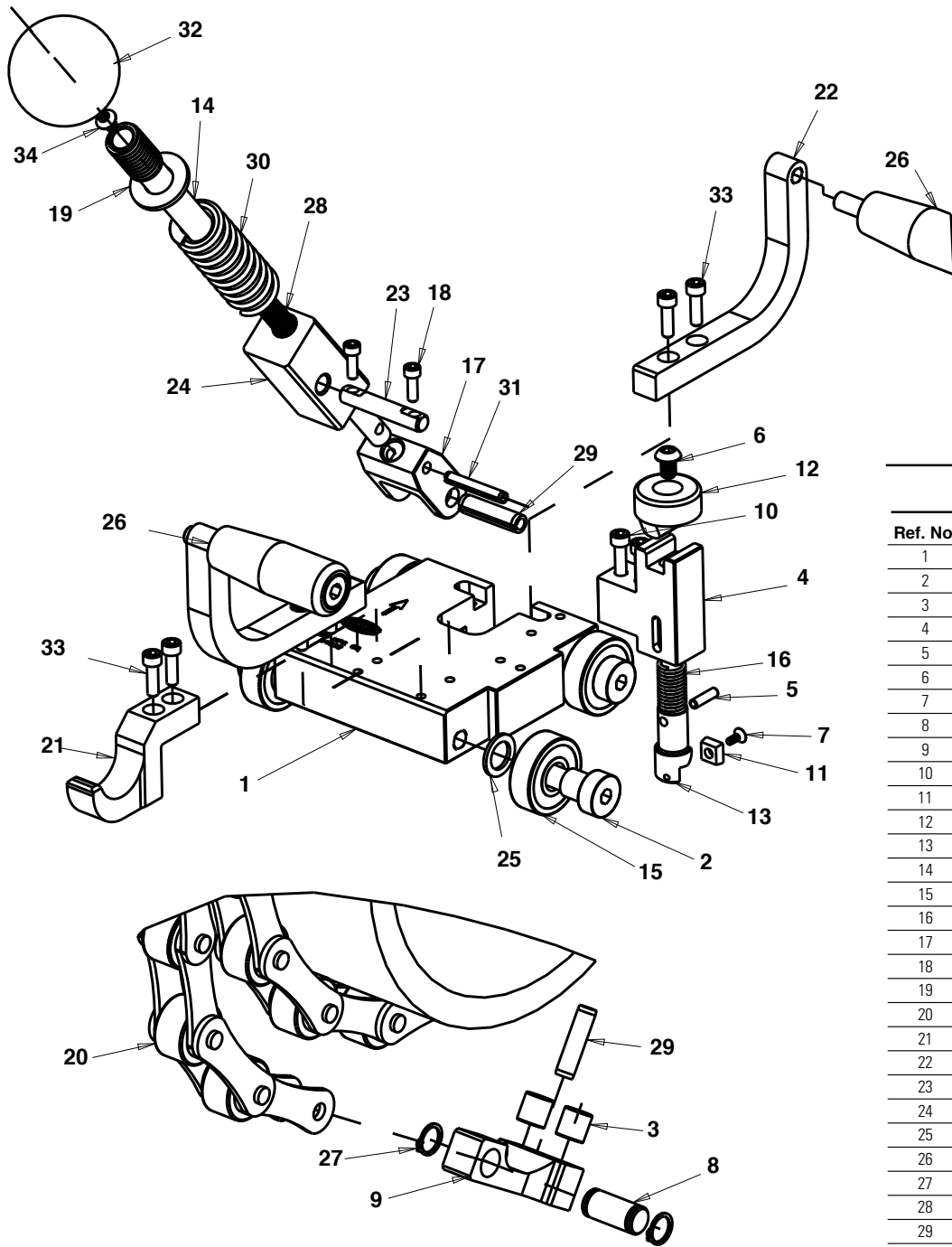


PIPE TOOLS & VISES  
SINCE 1896

# PE Pipe Peeler (PEPEEL12)

## Replacement Parts

Previously known as PESCRAPER12



### Parts List

Ref. No.	Description	Item Code	Qty. Used
1	PEELER FRAME	98630	1
2	SHOULDER SCREW	35326	4
3	MAGNET	35333	2
4	BLADE MOUNT	98640	1
5	5/32 x 5/8 SPRING PIN	35311	1
6	1/4-20 x 3/8 BHCS	35302	1
7	FHCS 4-40 X 5/16	35241	1
8	RETAINER PIN	98638	1
9	CHAIN KEEPER	98637	1
10	10-24 x 1-1/4 SHCS	37395	2
11	SCRAPER BLADE	24530	1
12	CONTROL KNOB	98642	1
13	BLADE HOLDER	98641	1
14	CHAIN TENSIONER	98635	1
15	BEARING WHEEL	35327	4
16	COMPRESSION SPRING	35334	1
17	CHAIN COUPLE	98631	1
18	#8-32 X 1/2 SHCS	30239	2
19	WASHER	35316	1
20	19 LINK ROLLER CHAIN	97576	1
21	HOOK	98632	1
22	HANDLE MOUNT	98624	2
23	PIVOT SHAFT	98636	1
24	PIVOT BLOCK	98634	1
25	SHIM	35330	4
26	TAPERED HANDLE	35319	2
27	1/2 RETAINER RING	35332	2
28	TENSIONING SCREW	98633	1
29	5/16 DIA X 1-1/4 SPRING PIN	35328	2
30	DIE SPRING	35322	1
31	3/16 DIA X 1-1/4 SPRING PIN	35314	1
32	KNOB	35331	1
33	SHCS #10-24 X 5/8 LG	39200	6
34	10-32 X 1/4 BHCS	35329	1

Reed Manufacturing Company  
1425 West 8th Street  
Erie, PA 16502 U.S.A.

**QUALITY**  
& Service  
that Last a Lifetime

Phone: 800-666-3691 or 814-452-3691  
Fax: 800-456-1697 or 814-455-1697  
www.reedmfgco.com

RP-1117-132